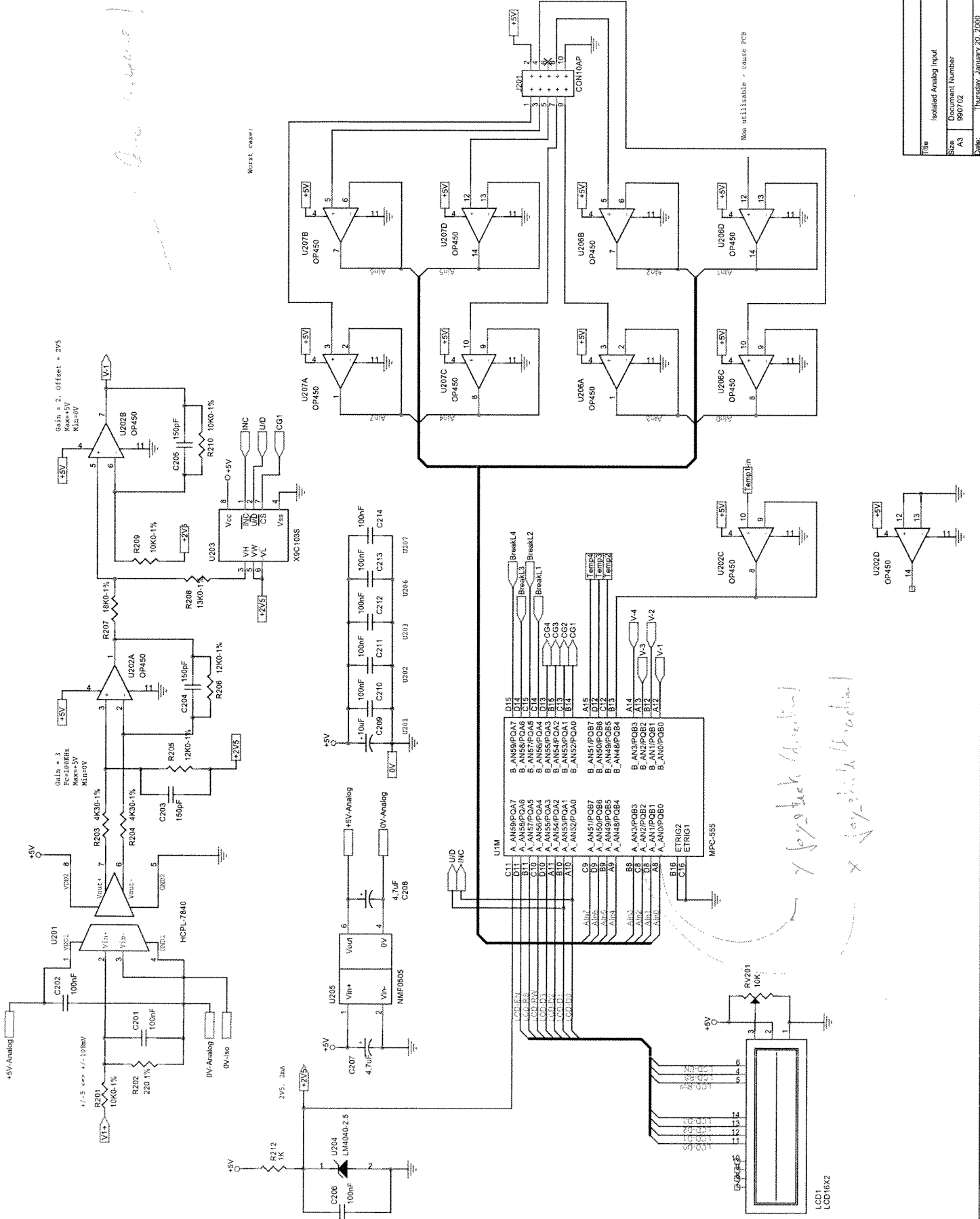


Title		Main document
Size	A4	Document Number
Date		Thursday, January 20, 2000
Sheet	1	of
Rev	2.2	

One channel from the board, OK

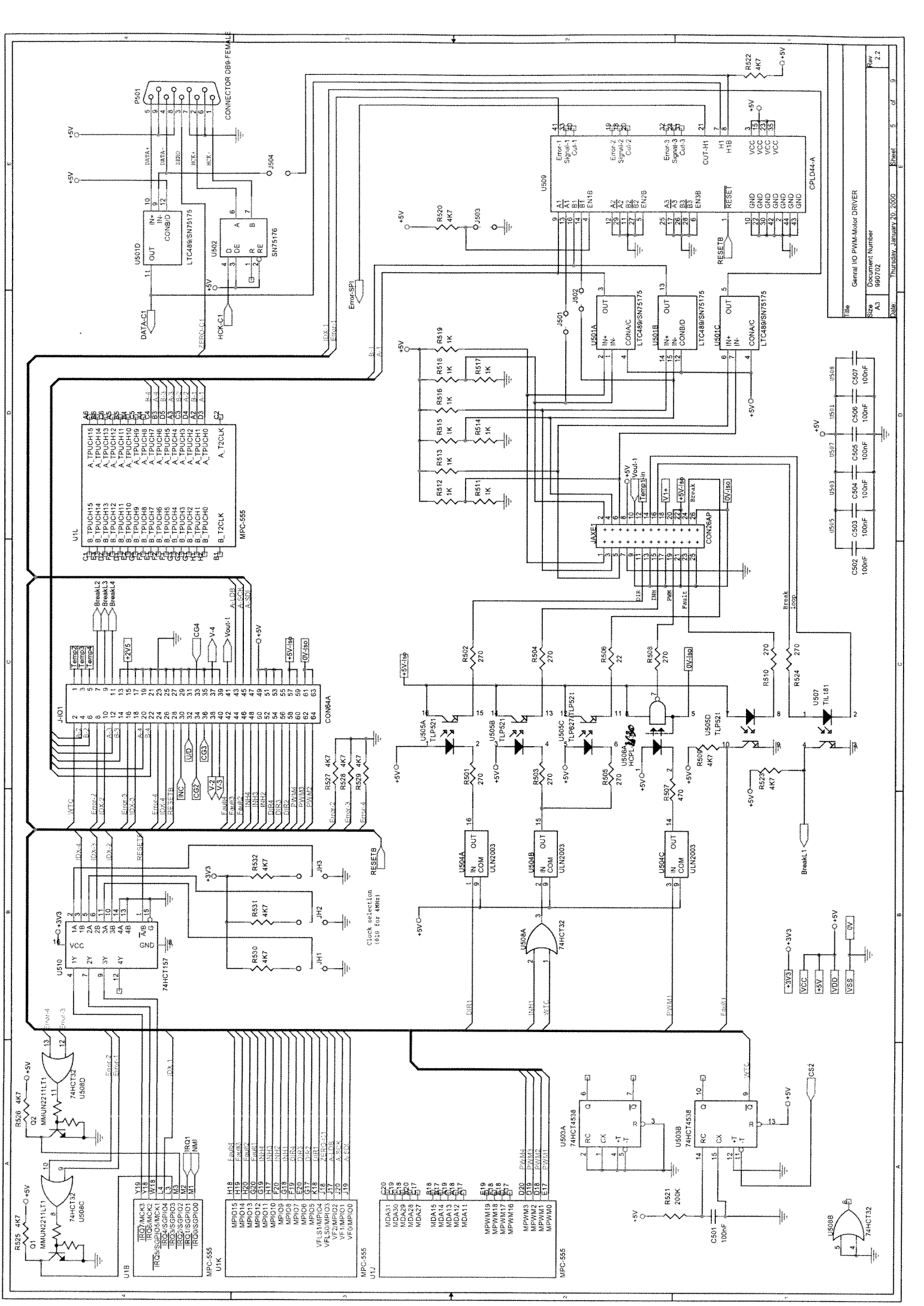


File	Isolated Analog Input
Size	Document Number
A3	990702
Date:	Thursday, January 20, 2000
Sheet	2 of 9
Page	2.2

x feedback (direct)

x feedback (indirect)

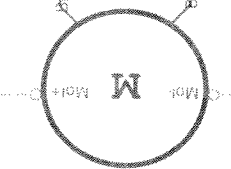
Not utilizable - cause PCB



Title: Gena 100 PWM-Motor DRIVER
 Size: A3
 Document Number: 990702
 Date: Thursday, January 20, 2000
 Sheet: 5 of 9
 Rev: 2.2

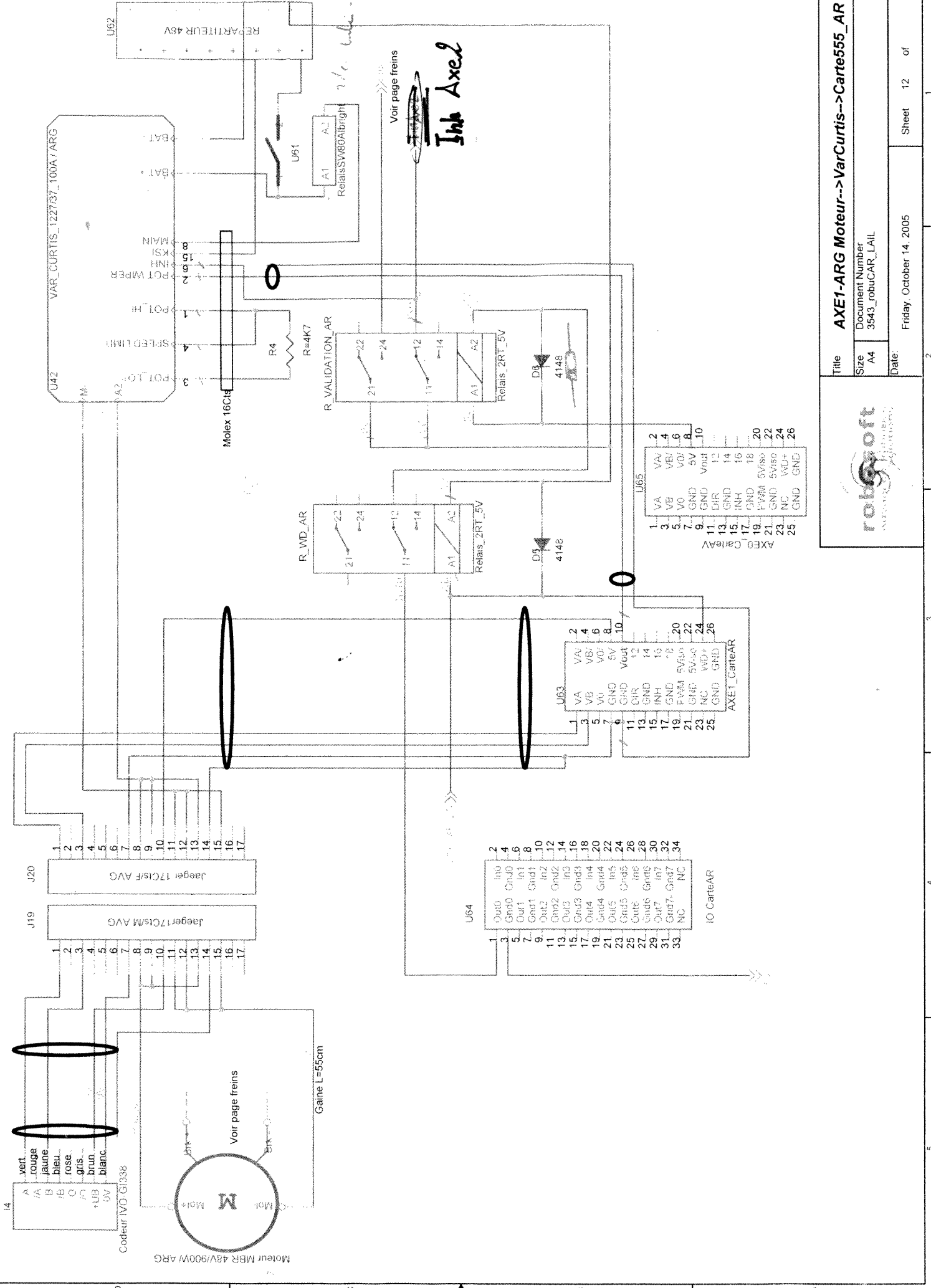
A	vert.
/A	rouge
B	jaune
/B	bleu
C	rose
/C	gris
1UB	brun
0V	blanc

Codeur IVO-G1338



Gaine L=55cm

Voir page freins



Inh Axel

Voir page freins

1	VA
2	VB
3	V0
4	V0
5	V0
6	V0
7	GND
8	VDI
9	GND
10	VDI
11	DFR
12	GND
13	GND
14	GND
15	INH
16	GND
17	GND
18	FV
19	FVM
20	GND
21	GND
22	5Viso
23	NC
24	VDI+
25	GND
26	GND



Title **AXE1-ARG Moteur-->VarCurtis-->Carte555_AR**

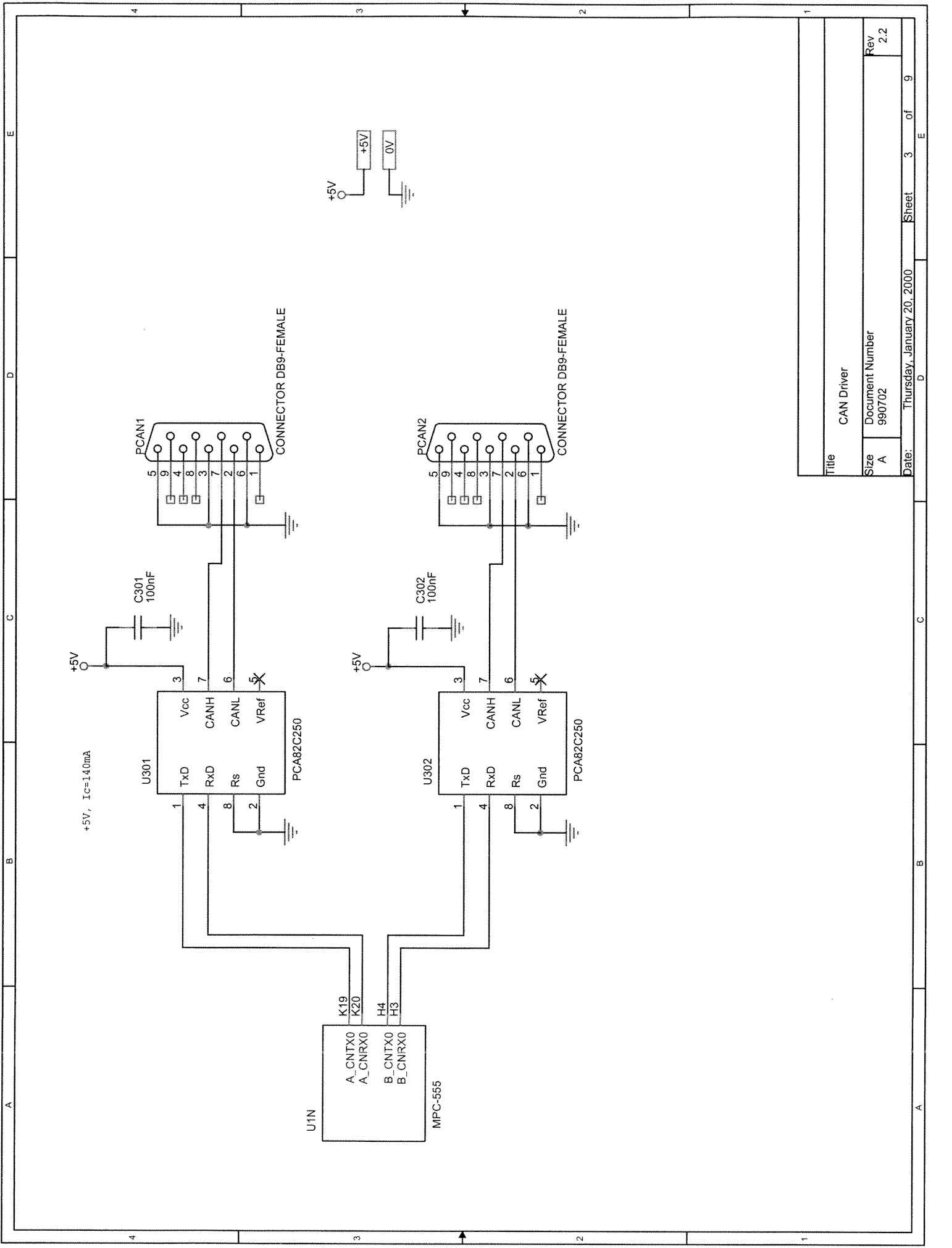
Document Number
3543_robucAR_LAIL

Size
A4

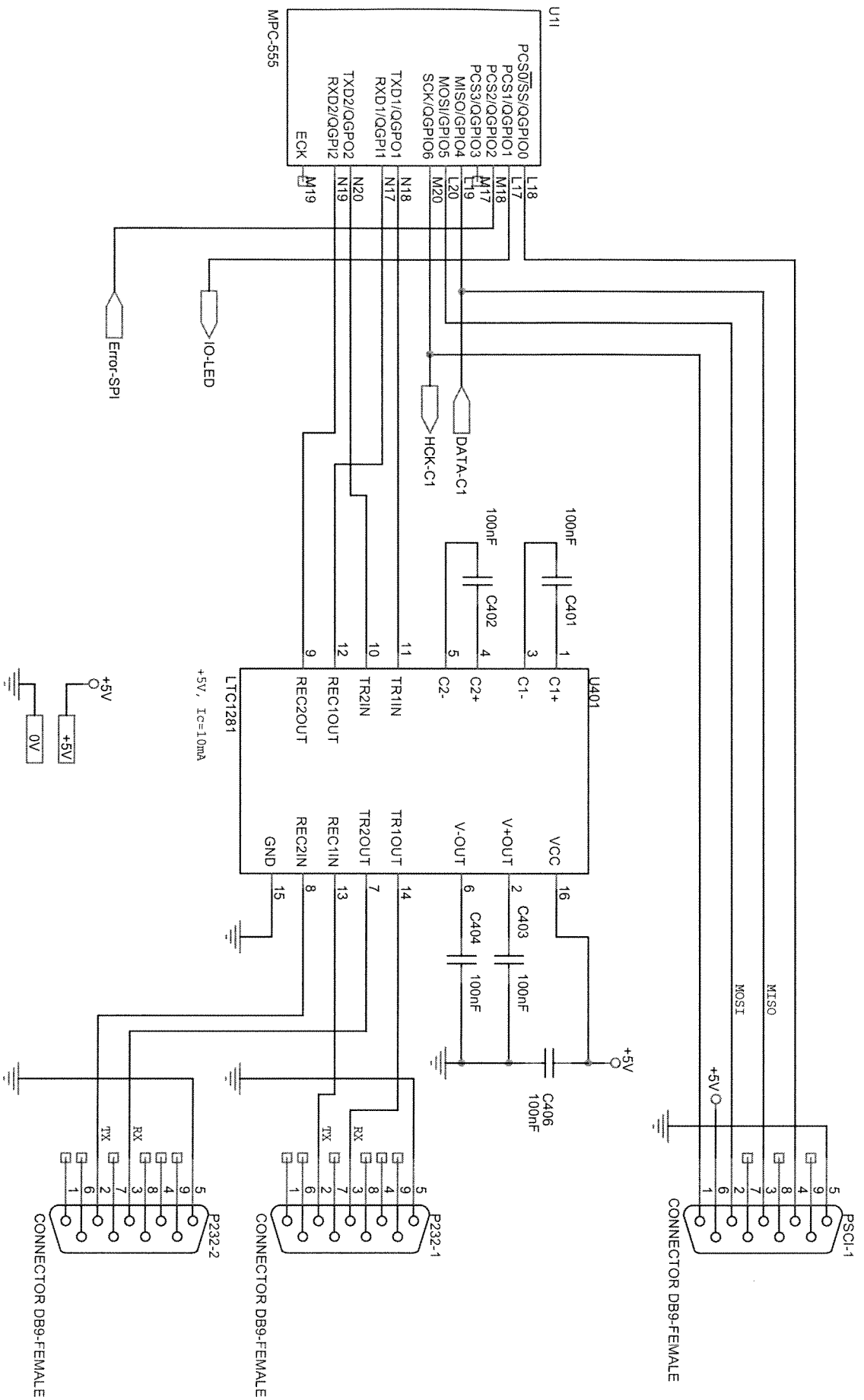
Date:
Friday, October 14, 2005

Sheet 12 of 20

Rev
<RevC



Title		CAN Driver	
Size	Document Number	Rev	
A	990702	2.2	
Date:	Thursday, January 20, 2000	Sheet	3 of 9



Title RS-232 Driver

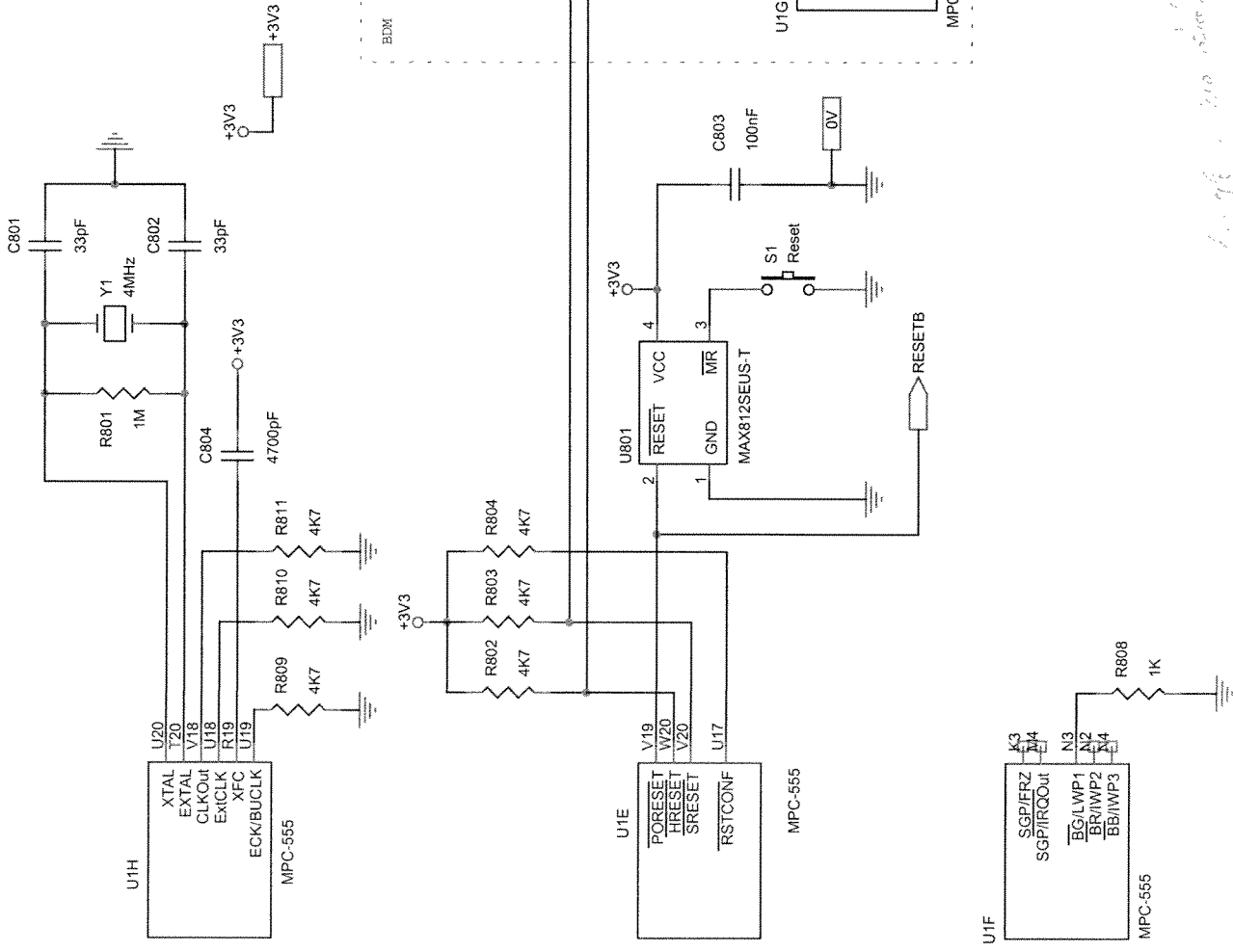
Size A Document Number 990702

Date: Thursday, January 20, 2000

Sheet 4 of 9

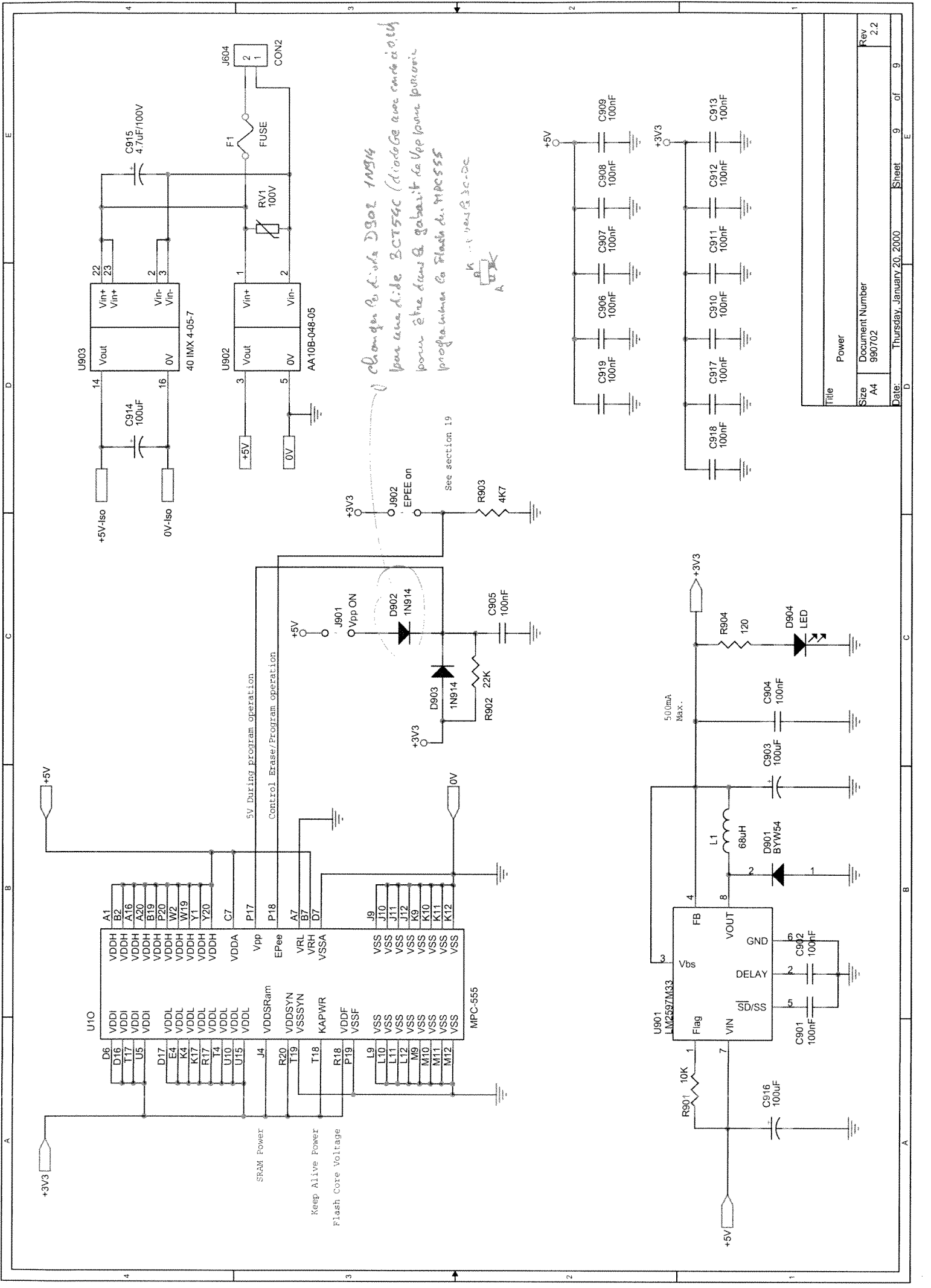
Rev 2.2

YIPIC 2.2.1.1 VDF01 8 RESET
 GND 3 4 DSCCK
 GND 5 5 VLSF1
 HREFSET 7 2 DSDI
 VDD1 0 10 DSDO



Handwritten notes:
 1. 100nF capacitor
 2. 100nF capacitor
 3. 100nF capacitor

Title		Reset Oscillator
Size	A4	Document Number
990702		
Date:	Thursday, January 20, 2000	Sheet 8 of 9
		Rev 2.2



*Changement de diode D902 10/09/14
 pour une diode BC154C (diode avec mode diode)
 pour être dans le gabarit de l'op pour la programmation de Flash de MPC555*



Title		Power
Size	A4	Document Number
Rev	2.2	

