

Electric Jack

- CI [Commercial Information](#)
- FT [Features](#)
- TS [Technical Specifications](#)
- ES [Electrical Specifications](#)
- MS [Mechanical Specifications](#)
- MP [Technical drawings](#)
- IN [Installation Notes](#)
- CN [Wiring Notes](#)
- DV [Developer Specifications](#)
- US [User Information](#)



Commercial Information

Manufactured by [Warner Electric](#)
Ref.Manufacturer Model DAxx 20B65
Distributed by Cofitec
Ref. Distributer [LA14-DA D2405B65-M10](#)

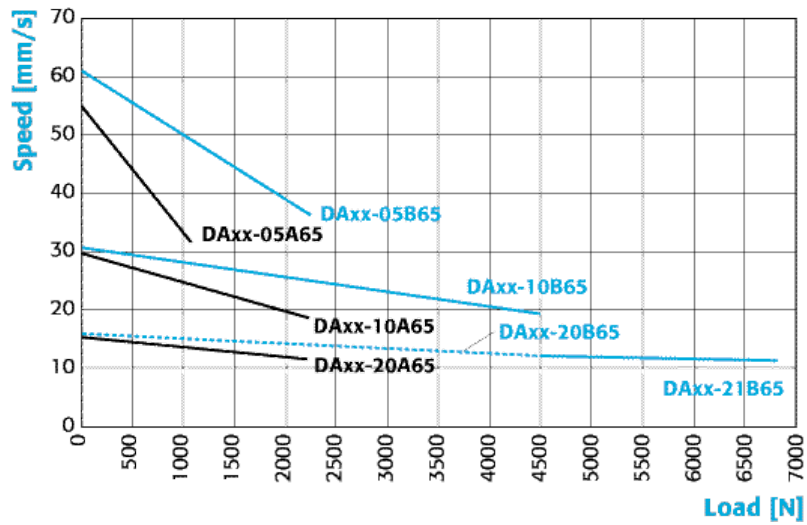
General Features

- Cover tube from extruded aluminium profile accepts proximity position sensor
- Anti rotation protection
- Suitable for outdoor use
- Consistent and repeatable performance
- Designed for use under rigorous operating conditions
- Ball detent clutch provides overload protection set to min 1,2 time load
- Connect via plug-in connector
- Motor protected with thermal reset
- Apply Acme or ball bearing drive screw
- Safety nut on ball screw drive
- Holding brake prevents back driving of ball screws (Acme self-locking)
- Withstand high temperatures, high ambient and power input variations
- Withstands 96 hour salt spray test
- Maintenance free, no adjustments required
- Can be operated at 25% duty cycle
- Available in RAL colours

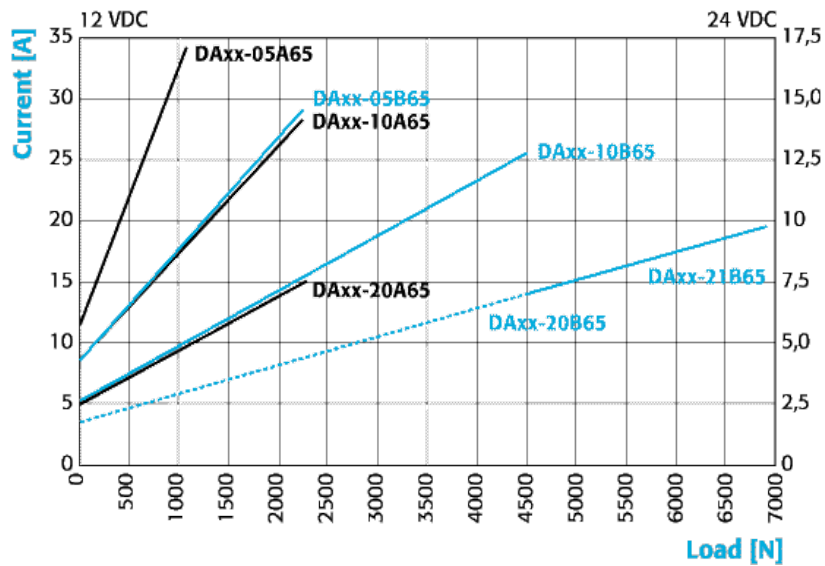
Technical Specifications

Input:	VDC	24
Current:	A (24 V) max	7 - 17
Load:	N max	6800
Std stroke:	mm	200
Screw:	TPI	5
Duty cycle:	% "on" at 25 C	25
Temperature:	°C	- 25 to + 65
End play:	mm max	1
Restr. torque:	Nm	0
Static load:	N	Acme 11350

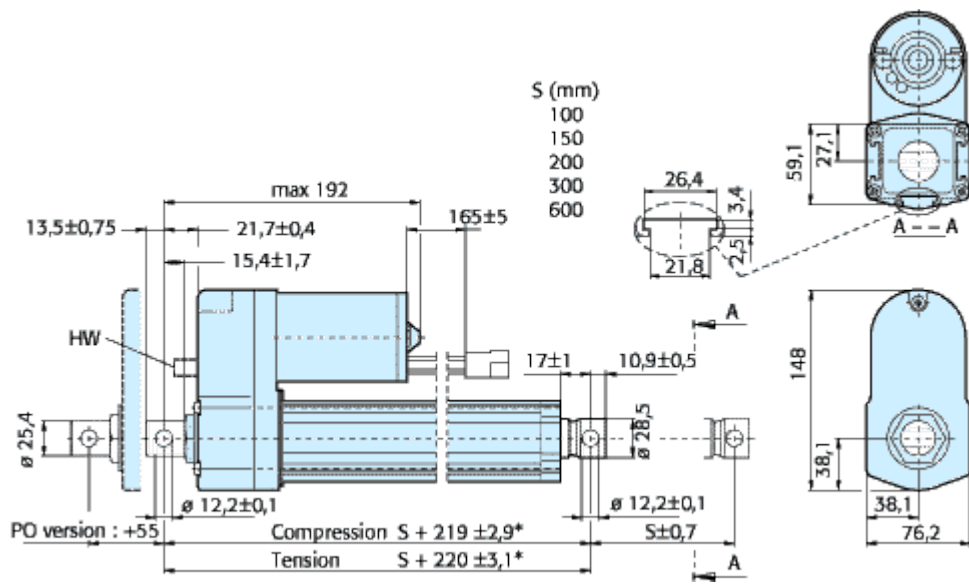
Lead wire:	mm ²	1,5
Lead length	mm	190



Electrical Specifications



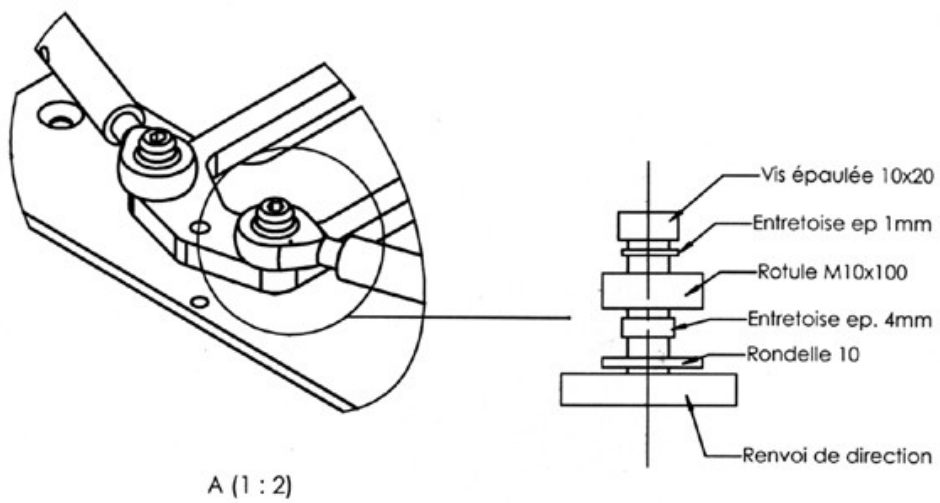
Mechanical Specifications



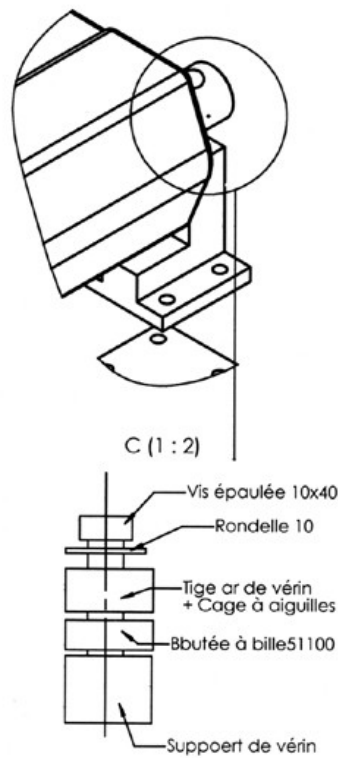
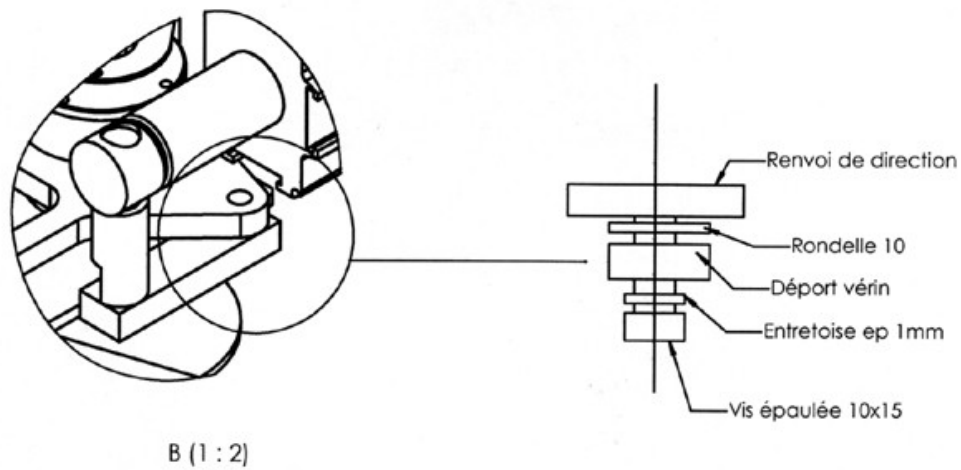
Technical drawings

Installation Notes

Détails de montage des vis épaulées sur le renvoi de direction



Détails de montage des vis épaulées sur le déport de vérin



Détails de montage de la vis épaulée sur le support vérin



PDF Documentation

- [Ensemble de direction](#)
- [Montage direction](#)

Wiring Notes
Developer Specifications
User Information

