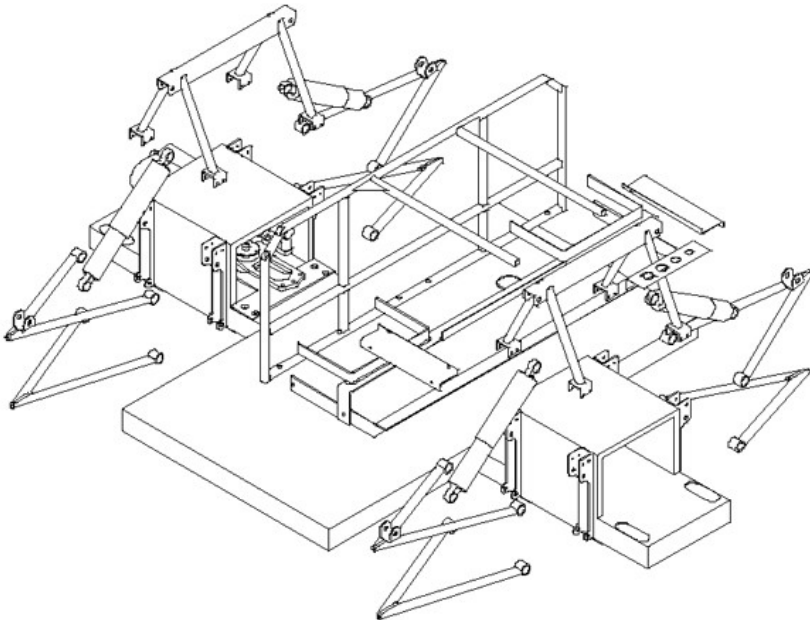
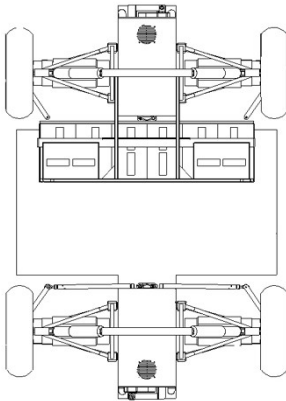
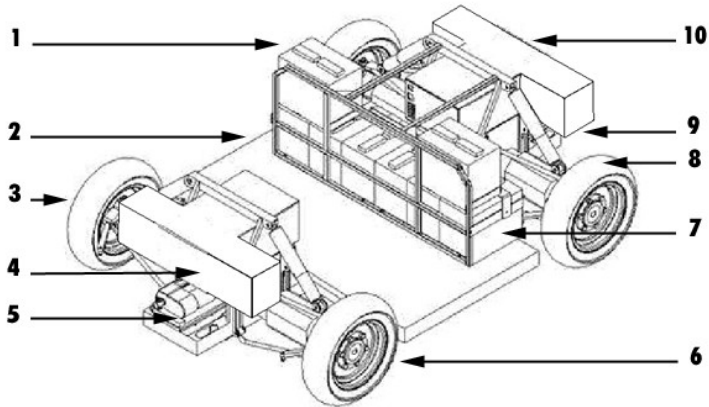
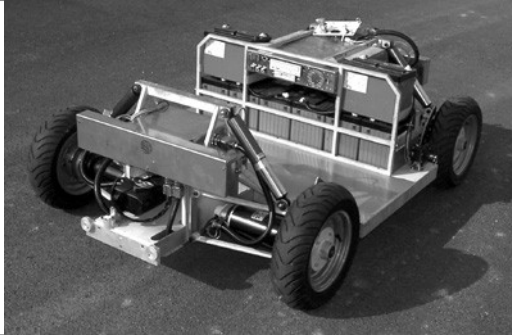


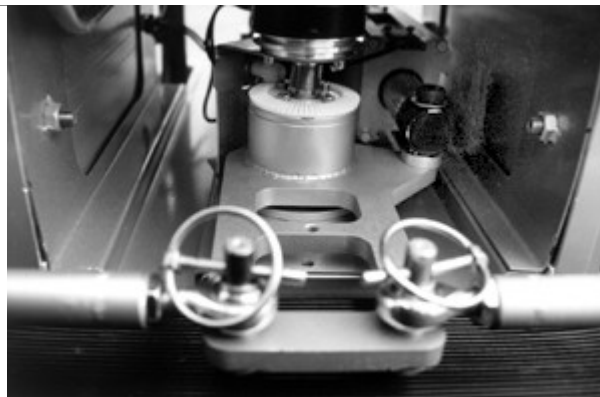
Chassis RobuCar

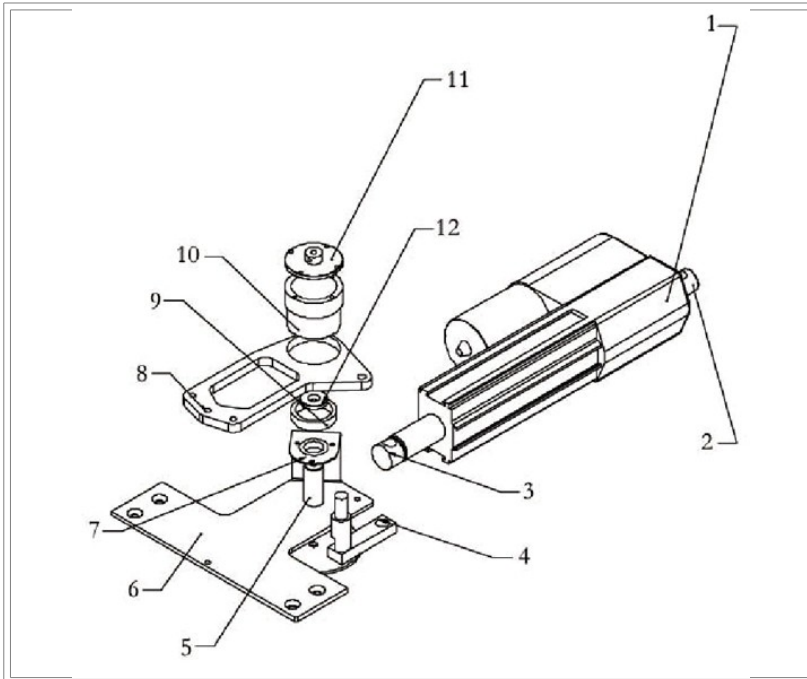




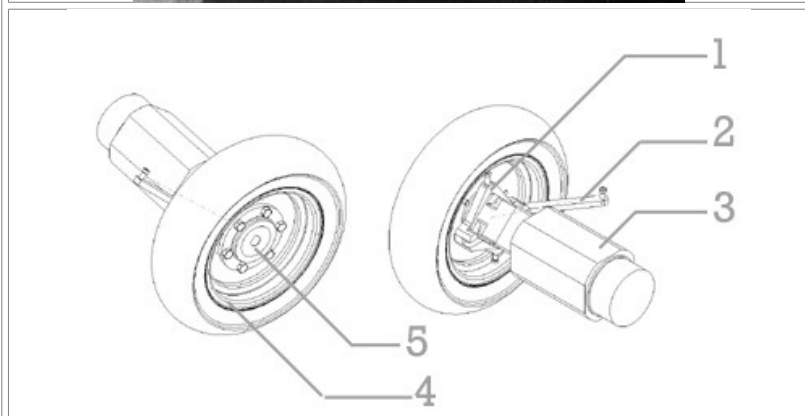
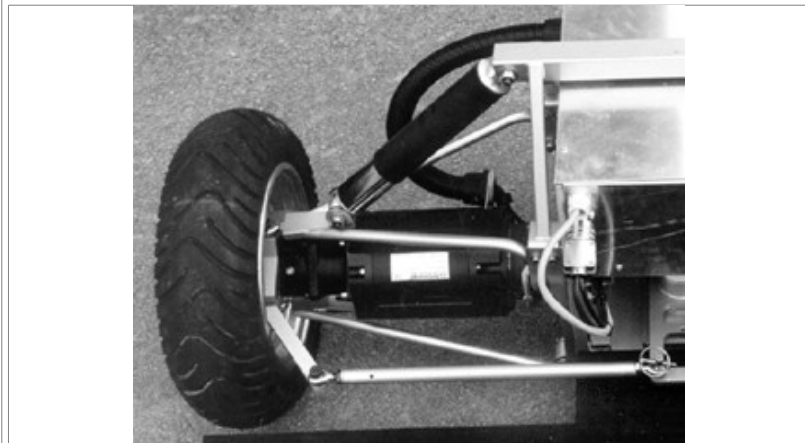
- 1 - 12 volts 60Ah sealed seal batteries
- 2 - Honey comb chassis
- 3 - Front right wheel
- 4 - Front controle cabinet
- 5 - Front steering electrical jack
- 6 - Front left wheel
- 7 - Batteries
- 8 - Rear left wheel
- 9 - Rear stering electrical jack
- 10 - Rear control cabinet

Direction Module





Traction Module



- 1 Motor interface
- 2 Bilette de direction
- 3 1200 Watts motor
- 4 roue 10''
- 5 Interface roue