

Board CAN

NUDAQPCI_7841

- CI [Commercial Information](#)
- FT [Features](#)
- TS [Technical Specifications](#)
- ES [Electrical Specifications](#)
- MS [Mechanical Specifications](#)
- MP [Technical drawings](#)
- IN [Installation Notes](#)
- CN [Wiring Notes](#)
- DV [Developer Specifications](#)
- US [User Information](#)



Commercial Information

Manufactured by [AdLink Technology INC.](#)

Ref.Manufacturer NUDAQPCI-7841

Distributed by

Ref. Distributer

Ordering Information

- PCI-7841: Dual-Port Isolated CAN Interface card
- cPCI-7841: Dual-Port Isolated CAN Interface card with 3U CompactPCI form factor
- cPCI-7841R: Dual-Port Isolated CAN Interface card with 3U CompactPCI form factor with rear I/O
- PM-7841: Dual-Port Isolated CAN Interface card with PC-104 form factor

General Features

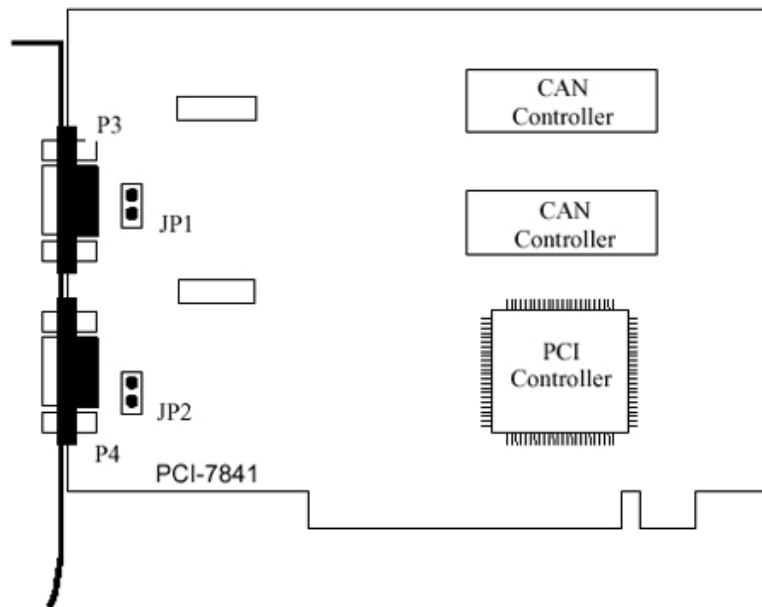
The PCI/cPCI/PM-7841 are Controller Area Network (CAN) interface cards. They support a dual port CAN's interface that can run independently or bridged at the same time. The built-in CAN controller of this card is SJA1000, which provides bus arbitration and error detection with auto correction and re-transmission function.

The PCI-7841 Dual-Port Isolated CAN Interface Card provides the following advanced features:

- Two independent CAN network operation
- Bridge function supports
- Up to 1Mbps programmable transfer rate
- 16/24 MHz CAN controller frequency
- 2500 Vrms isolation protection
- Direct memory mapping to the CAN controllers
- Powerful master interface for CANopen, DeviceNet and SDS application layer protocol
- PCI bus plug and play
- DOS library and examples included

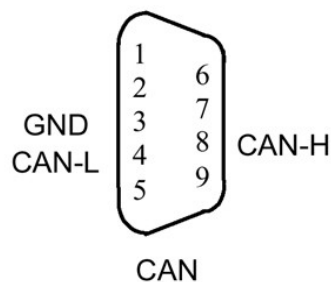
Technical Specifications

Ports	2 CAN channels (V2.0 A,B)
CAN Controller	82C200 / SJA1000
CAN Transceiver	82C250
Signal Support	CAN_H, CAN_L
Isolation Voltage	2500 Vrms
Connectors	Dual DB-9 male connectors
Operation Temperature	0 ~ 60° C
Storage Temperature	-20° ~ 80° C
Humidity	5% ~ 95% non-condensing
IRQ Level	Set by Plug and Play BIOS
I/O port address	Set by Plug and Play BIOS
Power Consumption (without external devices)	400mA @5VDC (Typical) 900mA @5VDC (Maximum)
Size	132(L)mm x 98(H)mm



PCI-7841 Layout

Wiring Notes



Developer Specifications

Software Support

- DOS
- Windows 95/98
- Windows NT
- DeviceNet Driver

[Download Driver](#) \ [Download Manual](#)

- All PDF formatted files in this website are best view using Adobe Acrobat Reader Ver 4 and above. You can download a free copy from [Adobe's Web Site](#)
- You can download the [free software](#) to extract the zipped files!

Windows Version Configuration/Monitor Utility

A windows version CAN's network configuration /monitor utility is provided. Users can easily configure and monitor the CAN bus status by using standard user interface.

Functions of the utility include

- Dual port Configuration
- Command Send
- Status/Data Read
- Bus Monitoring
- Analyzer/Scanner